

# Specifications

MODELS	GS™-2668 DC		GS™-3268 DC	
MEASUREMENTS	Metric	US	Metric	US
Working height maximum*	9.92 m	32 ft	11.75 m	38 ft
<b>A</b> Platform height	7.92 m	26 ft	9.75 m	32 ft
<b>B</b> Platform height - stowed	1.19 m	3 ft 10.75 in	1.31 m	4 ft 3.75 in
<b>C</b> Platform length - outside	2.51 m	8 ft 3 in	2.51 m	8 ft 3 in
- extended	3.96 m	13 ft	3.96 m	13 ft
Slide-out platform extension deck	1.52 m	5 ft	1.52 m	5 ft
<b>D</b> Platform width - outside	1.55 m	5 ft 1 in	1.55 m	5 ft 1 in
Toeboard height	0.15 m	6 in	0.15 m	6 in
<b>E</b> Height - stowed	2.32 m	7 ft 5.5 in	2.45 m	8 ft 3 in
- rails lowered	1.70 m	5 ft 7 in	1.83 m	6 ft
<b>F</b> Length - stowed	2.67 m	8 ft 9 in	2.67 m	8 ft 9 in
- platform extended	4.19 m	13 ft 9 in	4.19 m	13 ft 9 in
<b>G</b> Width	1.73 m	5 ft 8 in	1.73 m	5 ft 8 in
<b>H</b> Wheelbase	1.85 m	6 ft 1 in	1.85 m	6 ft 1 in
<b>I</b> Ground clearance - centre	0.20 m	8 in	0.20 m	8 in

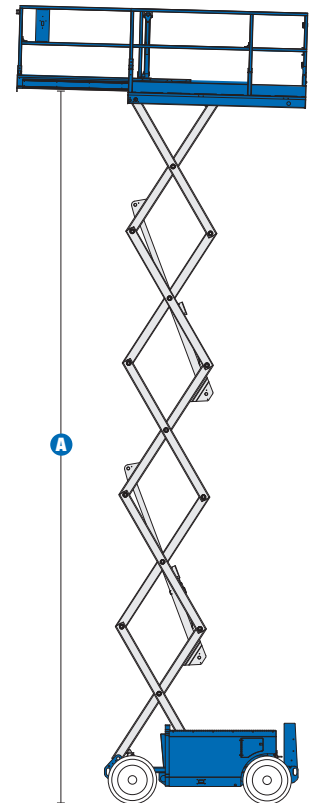
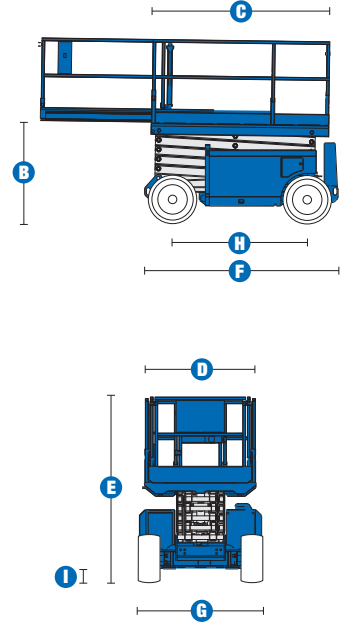
PRODUCTIVITY				
Maximum platform capacity** - indoor	4	4	4	4
- outdoor	4	4	2	2
Lift capacity	567 kg	1,250 lbs	454 kg	1,000 lbs
Extension deck capacity	136 kg	300 lbs	136 kg	300 lbs
Drive speed maximum - stowed	4.8 km/h	3.0 mph	4.8 km/h	3.0 mph
Drive speed maximum - raised	0.8 km/h	0.5 mph	0.8 km/h	0.5 mph
Gradeability - stowed***	30%	30%	25%	25%
Turning radius - inside	1.52 m	5 ft	1.52 m	5 ft
Turning radius - outside	3.68 m	12 ft 1 in	3.68 m	12 ft 1 in
Raise/lower speed	30 / 35 sec	30 / 35 sec	40 / 37 sec	40 / 37 sec
Controls	proportional		proportional	
Drive	dual rear wheel		dual rear wheel	
Multiple disc brakes	dual rear wheel		dual rear wheel	
Tyres - solid non-marking	22 x 55 cm	9 x 21.5 in	22 x 55 cm	9 x 21.5 in

POWER				
Power source	48 V DC (eight 225 Ah batteries)		48 V DC (eight 225 Ah batteries)	
Hydraulic system capacity	36 L	9.5 gal	36 L	9.5 gal

WEIGHT****				
	2,833 kg	6,246 lbs	3,621 kg	7,983 lbs

STANDARDS COMPLIANCE	ANSI A92.6, CSA B354.2, CE Compliance, AS 1418.10
----------------------	---

\* The metric equivalent of working height adds 2 m to platform height. U.S. adds 6 ft to platform height.  
 \*\* CE/AUS markets: GS-3268 limited to 2 person platform occupancy when used outdoors.  
 \*\*\* Gradeability applies to driving on slopes. See operator's manual for details regarding slope ratings.  
 \*\*\*\* Weight varies depending on options and country standards.



## Features

### STANDARD FEATURES

#### MEASUREMENTS

##### GS™-2668DC

- 9.92 m (32 ft) working height
- Up to 567 kg (1,250 lbs) lift capacity

##### GS™-3268DC

- 11.75 m (38 ft) working height
- Up to 454 kg (1,000 lbs) lift capacity

#### PRODUCTIVITY

- 2.51 m x 1.55 m (8 ft 3 in x 5 ft 1 in) steel frame platform with replaceable diamond plate aluminium deck
- 1.52 m (5 ft) extension deck
- Folding guardrails
- Dual rear wheel drive
- Proportional lift and drive
- Platform control with battery charge indicator and diagnostic display
- Full height swing gate
- Lanyard attachment points
- Manual platform lowering valve
- Dual rear wheel rim brakes
- Manual brake release
- Tilt alarm
- Descent alarm
- Horn
- Hour meter
- Solid non-marking tyres
- Dual flashing beacons
- Motion alarm

#### POWER

- 48 V DC (eight 6V 225 Ah batteries)
- 48 V smart charger

### OPTIONS & ACCESSORIES

#### PRODUCTIVITY

- Air line to platform
- Platform work lights

#### POWER OPTIONS

- 240 V power to platform



### Genie Australia – Toll free number 1800 788 633

**Brisbane (Head Office)**  
33 Kimberley Street  
Darra QLD 4076

**Sydney**  
74 Glendenning Road  
Glendenning NSW 2761

**Melbourne**  
374 Hammond Road  
Dandenong VIC 3175

**Perth**  
83 Bannister Road  
Canning Vale WA 6155

### Genie United States

### Distributed by:

18340 NE 76th Street  
P.O. Box 97030  
Redmond, Washington  
98073-9730

Effective Date: April, 2009. Product specifications and prices are subject to change without notice or obligation. The photographs and/or drawings in this document are for illustrative purposes only. Refer to the appropriate Operator's Manual for instructions on the proper use of this equipment. Failure to follow the appropriate Operator's Manual when using our equipment or to otherwise act irresponsibly may result in serious injury or death. The only warranty applicable to our equipment is the standard written warranty applicable to the particular product and sale and we make no other warranty, express or implied. Products and services listed may be trademarks, service marks or trade-names of Terex Corporation, Genie Industries, Inc. and/or their subsidiaries in the U.S.A. and many other countries and all rights are reserved. Terex is a Registered Trademark of Terex Corporation in the U.S.A. and many other countries. Genie is a Registered Trademark of Genie Industries, Inc. in the U.S.A. and many other countries. Genie is a Terex Company. © 2009 Terex Corporation.